

Please Measure in Centimeters

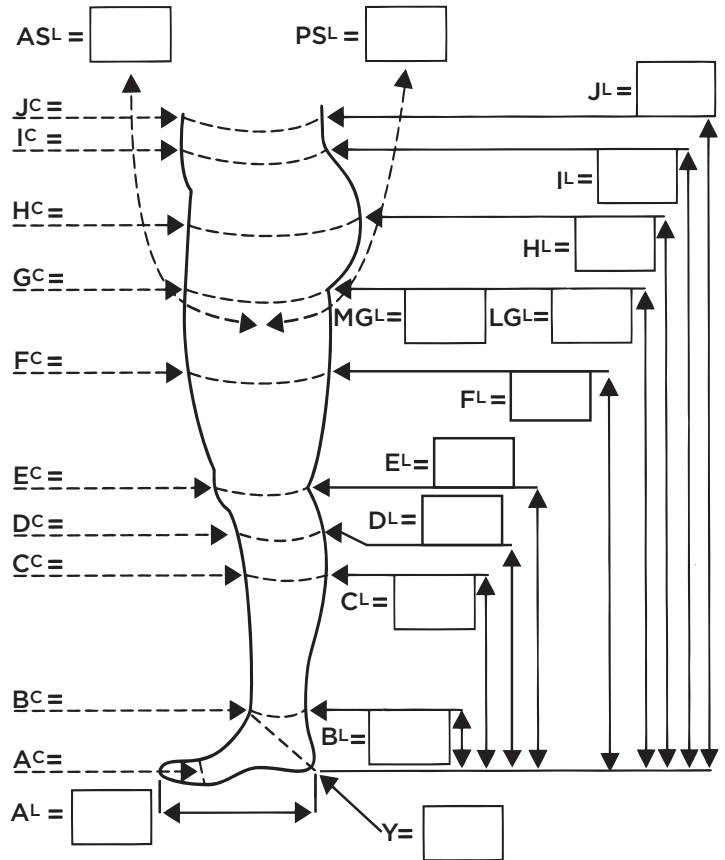
Colours Available:



TippToes
 Gooldscross, Cashel, Co. Tipperary
 Ireland
 T: 0504-42513
 F: 0504-60098
 office@tipptoes.com
 www.tipptoes.com

C = Circumference

L = Length



CLINIC INFORMATION		<input type="checkbox"/> SUPINE <input type="checkbox"/> STANDING <input type="checkbox"/> LEFT <input type="checkbox"/> RIGHT		
Clinic Name:		QTY	UNIT	PRICE
Practitioner:			Garment Code: LE- <input type="checkbox"/> Vertical <input type="checkbox"/> Chevron	
Funding:	HSE / Private		Outer Jacket	
GMS No:			Variable Compression Jacket	
HSE Area:			Zipper (on Tribute only)	
			Velcro <input type="checkbox"/> MO-VC <input type="checkbox"/> MO-AP	
			Nonskid Pads <input type="checkbox"/> Tribute <input type="checkbox"/> OJ	
			Pull Up Loops (on Tribute only)	
			Easy Slide Application Aid	
			Priority Production Fee	
			Fabric <input type="checkbox"/> Tribute _____ Option <input type="checkbox"/> Outer Jacket _____	
Client Name:		Please Fax Orders to TippToes at 0504-60098		
Address:				
Telephone:				
Email:				

Comments: _____