

Patient name

Telephone

E-mail

Clinic/Hospital

Order no

Repeat order no

Date measured

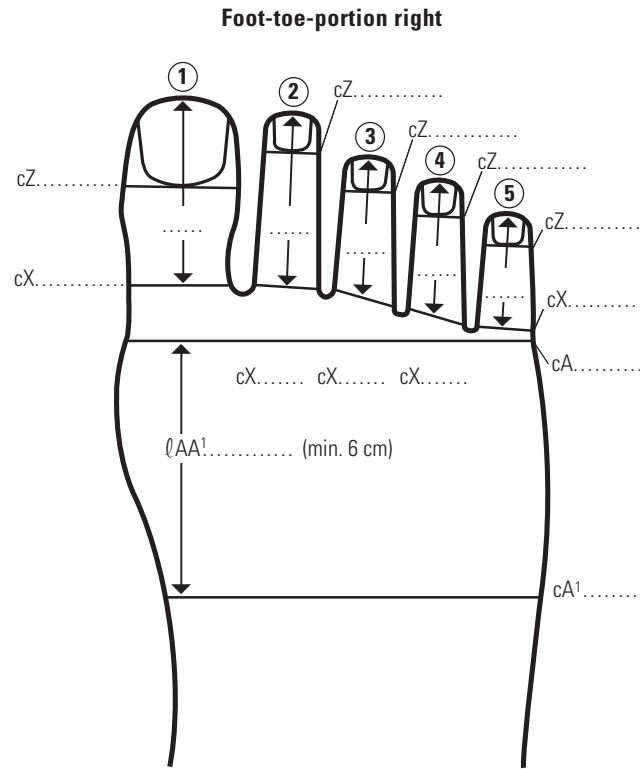
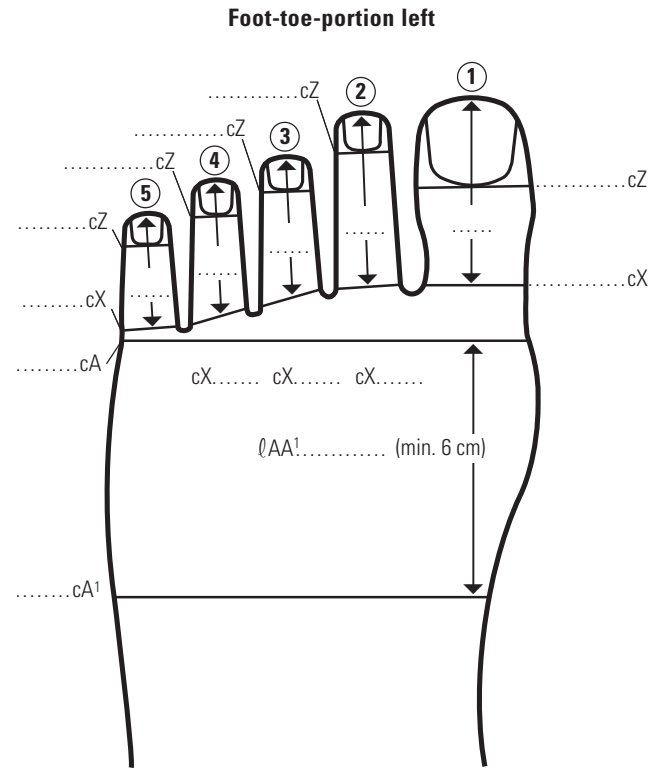
Measured by

Delivery adress

Customer no



A Measurements



B Fabric and compression class

Quantity: piece <input type="checkbox"/> left <input type="checkbox"/> right	Compression classes		
	1	2	3
Juzo® Expert	<input type="checkbox"/> 3021	<input type="checkbox"/> 3022	<input type="checkbox"/> 3023
Juzo® Expert Strong	<input type="checkbox"/> 3051	<input type="checkbox"/> 3052	<input type="checkbox"/> 3053

Colours: If nothing is noted, we deliver colour Beige

White Light beige Beige Dark brown Red Pink
 Green Blue Dark blue Grey Black

to be worn in combination with compression stockings (separates)

C Model

Options (no charge):

with open toes/toe stubs
 without little toe (only with opening at toe ⑤)
 seam along outer side

Charge options:

with closed toes

D Special instructions

.....

.....

.....

(Further options see Juzo® Expert Prescription brochure)